

BA6560-B

BA6560H24B-Macawi



Features:

Advantages:

Applications:



1 .Technical Data

Electrical	Unit	Value
Dimension	[Mm]	Ø69X50
Voltage Range	[V _{dc}]	24
Rated Voltage	[V _{dc}]	18 to 26
Rated Current	[A]	5
Rated Power	[W]	120
Rated Speed	[rpm/ms]	67000
Static Pressure (When Air Flow= 0)	[Pa]	11713
Air Flow (In Free Air)	[l/min]	495.4

Environmental

Ambient temperature(operating)	[°C]	-40 to 60
Ambient temperature(storage)	[°C]	-40 to 60
Relative humidity(noncondensing)	[% RH]	10 to 85
Waterproof level		N/A
Maximumoxygen concentration	[%]	N/A

Motor

Type		Brushless direct current motor
Winding insulation class		F, 155 °C
NTC type		N/A

Lifetime

L10 at 25 °C ambient temperature	[h]	10000
----------------------------------	-----	-------

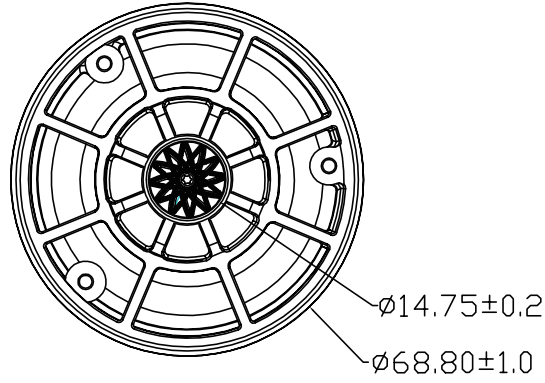
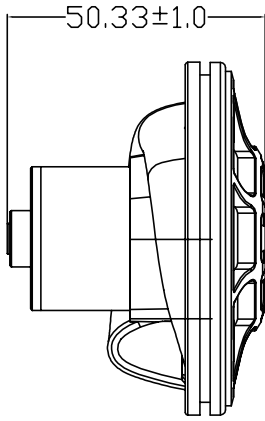
Noise

Sound pressure level	[dB-A]	86.5
----------------------	--------	------

Mechanical

Blower weight	[g]	160.7
---------------	-----	-------

2 .Mechanical Structure Diagram

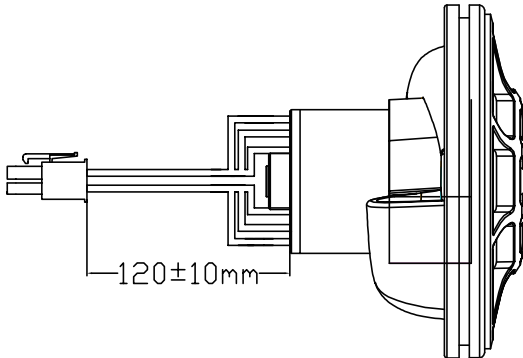


1 2 3 4 5

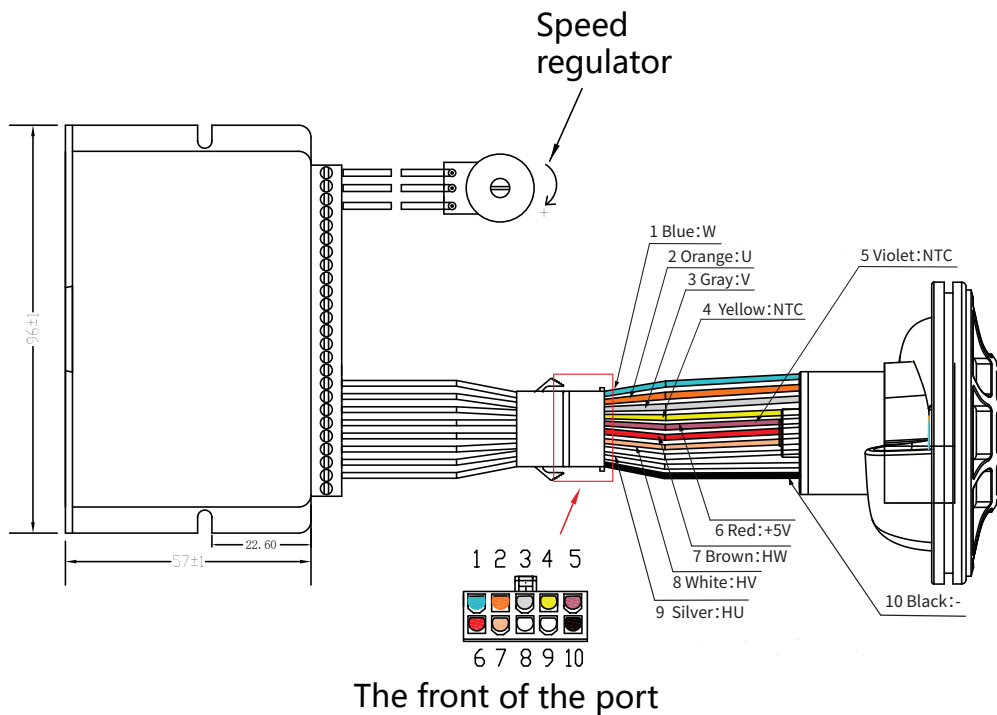


6 7 8 9 10

从端子正面看



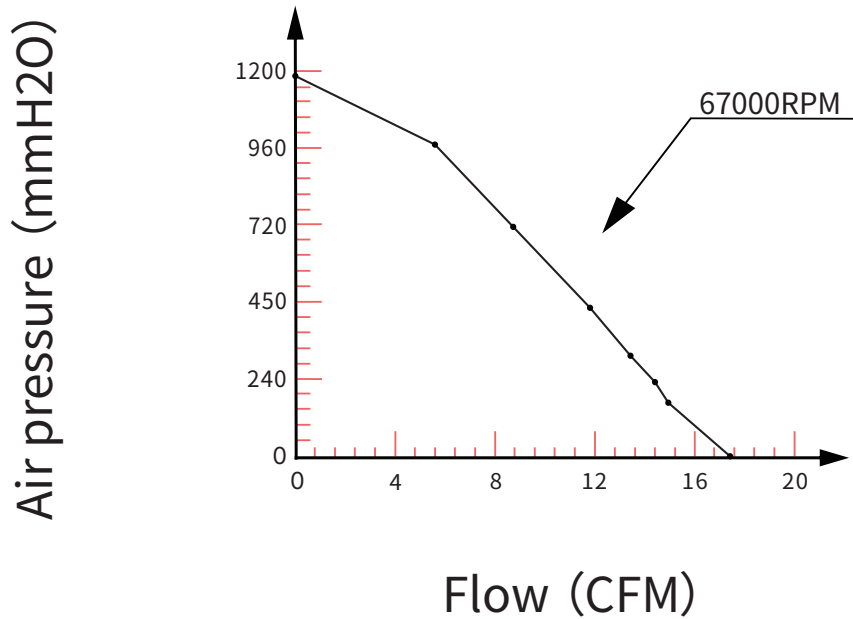
3. Electrical Connection Diagram



Wire model	Wire Number	Colour	Function
A UL1332 #24AWG OR EQUIVALENT	1	Blue	W
	2	Orange	U
	3	Gray	V
	4	Yellow	NTC
	5	Violet	NTC
	6	Red	+5V
	7	Brown	HW
	8	White	HV
	9	Silver	HU
	10	Black	-

4 .P-Q Data and Curve

4.1 PQ Curve



4.2 PQ Data

NO.	mmAq	CFM	A	Watt
1	1171.25	0	1.98	47.4
2	964.5	5.58	3.1	74.4
3	709	8.73	3.7	88.7
4	461	11.83	4.15	99.6
5	313.5	13.47	4.33	104
6	229.5	14.44	4.45	106.9
7	168.25	14.99	4.55	109.1
8	0	17.48	5.35	128.5

5. PWM Curve

5.1 PWM Connecting Diagram

NC

5.2 5.2 PWM data curve

NC

6. 6. 0-5V Speed Control

6.1 5V Connetcting Diagram

NC

6.2 6.2 0-5V data curve

NC

7 . FG Speed Feedback Diagram

7.1 Signal output diagram

NC

7.2 Rotational speed frequency

NC

8. Temperature Test Report

NC

9. Related Products

Model	Dimension	Voltage	RPM	Air Flow	Air Pressure	Watt

TAKE A CLOSER LOOK

TK FAN solutions for a wide variety of applications, including medical, automation, packaging, industrial, aerospace and defense are only a click away. Visit our worldwide web site for more information.

For product information, vis www.tkfan.com

For more information or the office nearest you, contact us online, sales@tenkai-group.com

However, to ensure that you can smoothly find the relevant person in charge and receive timely reception, it is recommended that you make an appointment in advance by phone or email.